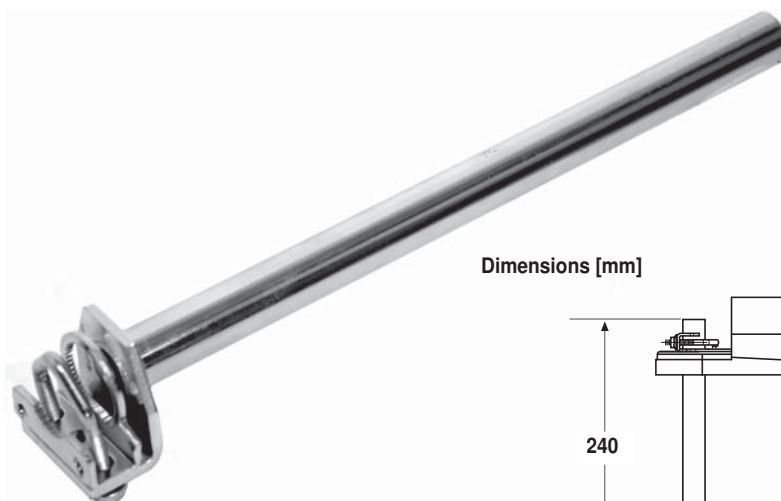
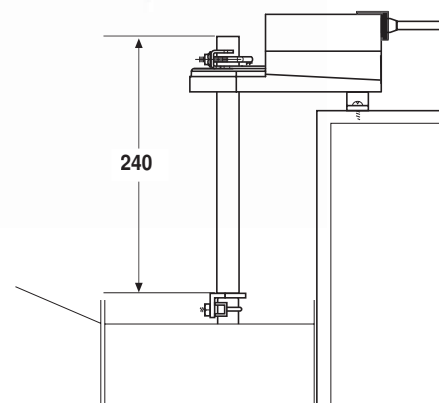


Shaft extension AV8-25

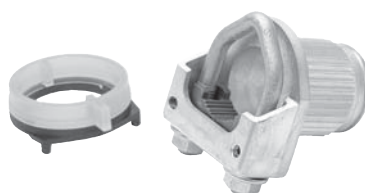
- Length approx. 250 mm
- For damper spindles \varnothing 8 ... 25 mm
- Extension \varnothing 20 mm



Dimensions [mm]


Reversible spindle clamp K-NA

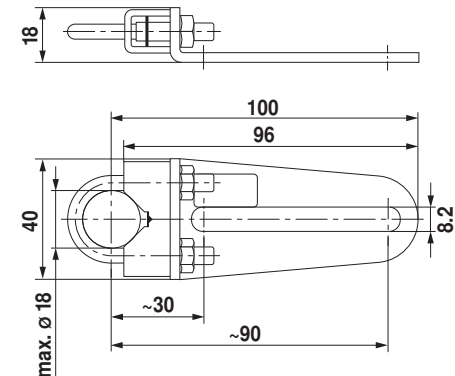
- For damper spindles \varnothing 8 ... 20 mm


Damper crank arm KH8

- For damper spindles
- Galvanized steel
- Clamping range \varnothing 10 ... 18 mm
- Slot width 8.2 mm

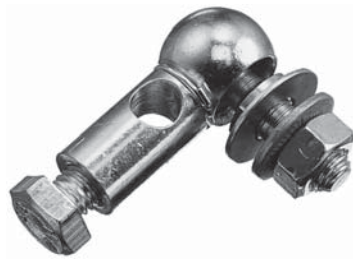


Dimensions [mm]

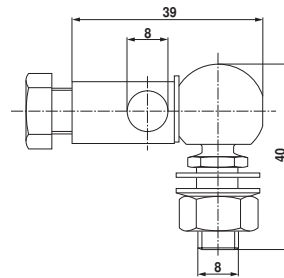


Ball joint KG8

- Suitable for KH8 damper crank arms
- For round steel rod with \varnothing 8 mm
- Galvanized steel



Dimensions [mm]

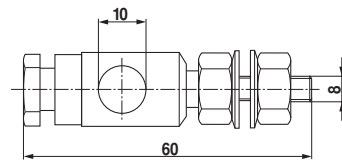


Ball joint KG10A

- Suitable for KH8 damper crank arms
- For round steel rod with \varnothing 10 mm
- Galvanized steel

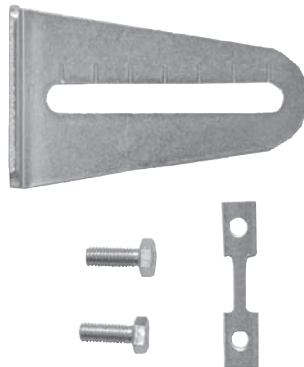


Dimensions [mm]



Actuator arm AH-25

- For standard clamp (on one side)
- Slot width 8.2 mm
- Galvanized steel



Mounting kit for damper linkage ZG-NMA

- For flat and side mounting

